

Technical data sheet

Product features



Cooking range induction digital 4 zones

Model	SAP Code	00013615
--------------	-----------------	----------



- Device type: Electric unit
- Power consumption of the zone 1 [kW]: 5
- Power consumption of the zone 2 [kW]: 5
- Power consumption of the zone 3 [kW]: 5
- Power consumption of the zone 4 [kW]: 5
- Material: AISI 304

SAP Code	00013615	Loading	400 V / 3N - 50 Hz
Net Width [mm]	800	Number of zones	4
Net Depth [mm]	900	Power consumption of the zone 1 [kW]	5
Net Height [mm]	280	Power consumption of the zone 2 [kW]	5
Net Weight [kg]	66.00	Power consumption of the zone 3 [kW]	5
Power electric [kW]	20.000	Power consumption of the zone 4 [kW]	5

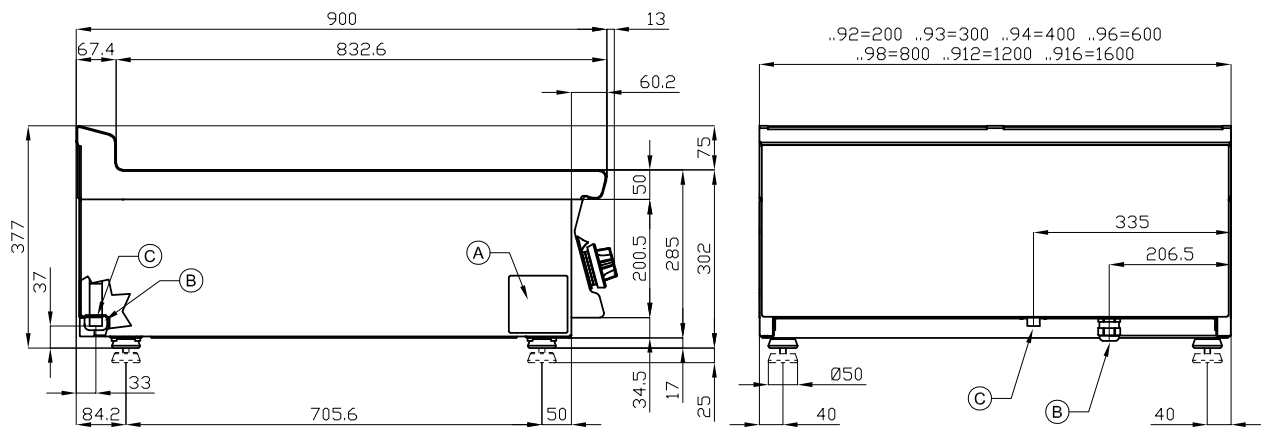
Technical data sheet

Technical drawing



Cooking range induction digital 4 zones

Model	SAP Code	00013615
--------------	-----------------	----------



A	Data plate		B	Electrical connection	
---	------------	--	---	-----------------------	--

Technical data sheet

Technical parameters



Cooking range induction digital 4 zones

Model

SAP Code

00013615

1. SAP Code:

00013615

2. Net Width [mm]:

800

3. Net Depth [mm]:

900

4. Net Height [mm]:

280

5. Net Weight [kg]:

66.00

6. Gross Width [mm]:

830

7. Gross depth [mm]:

970

8. Gross Height [mm]:

540

9. Gross Weight [kg]:

76.00

10. Device type:

Electric unit

11. Construction type of device:

Table top

12. Power electric [kW]:

20.000

13. Loading:

400 V / 3N - 50 Hz

14. Exterior color of the device:

Stainless steel

15. Material:

AISI 304

16. Worktop type:

Molded - comfortable cleaning maintenance

17. Worktop material:

AISI 304

18. Worktop Thickness [mm]:

2.00

19. Number of zones:

4

20. Power consumption of the zone 1 [kW]:

5

21. Power consumption of the zone 2 [kW]:

5

22. Power consumption of the zone 3 [kW]:

5

23. Power consumption of the zone 4 [kW]:

5

24. Service accessibility:

From the front by removing the front panel and waste fluid containers

25. Safety thermostat:

Yes

26. Adjustable feet:

Yes

27. Number of burners/hot plates:

4